

Octojib - 2 m - Specifications & Restrictions

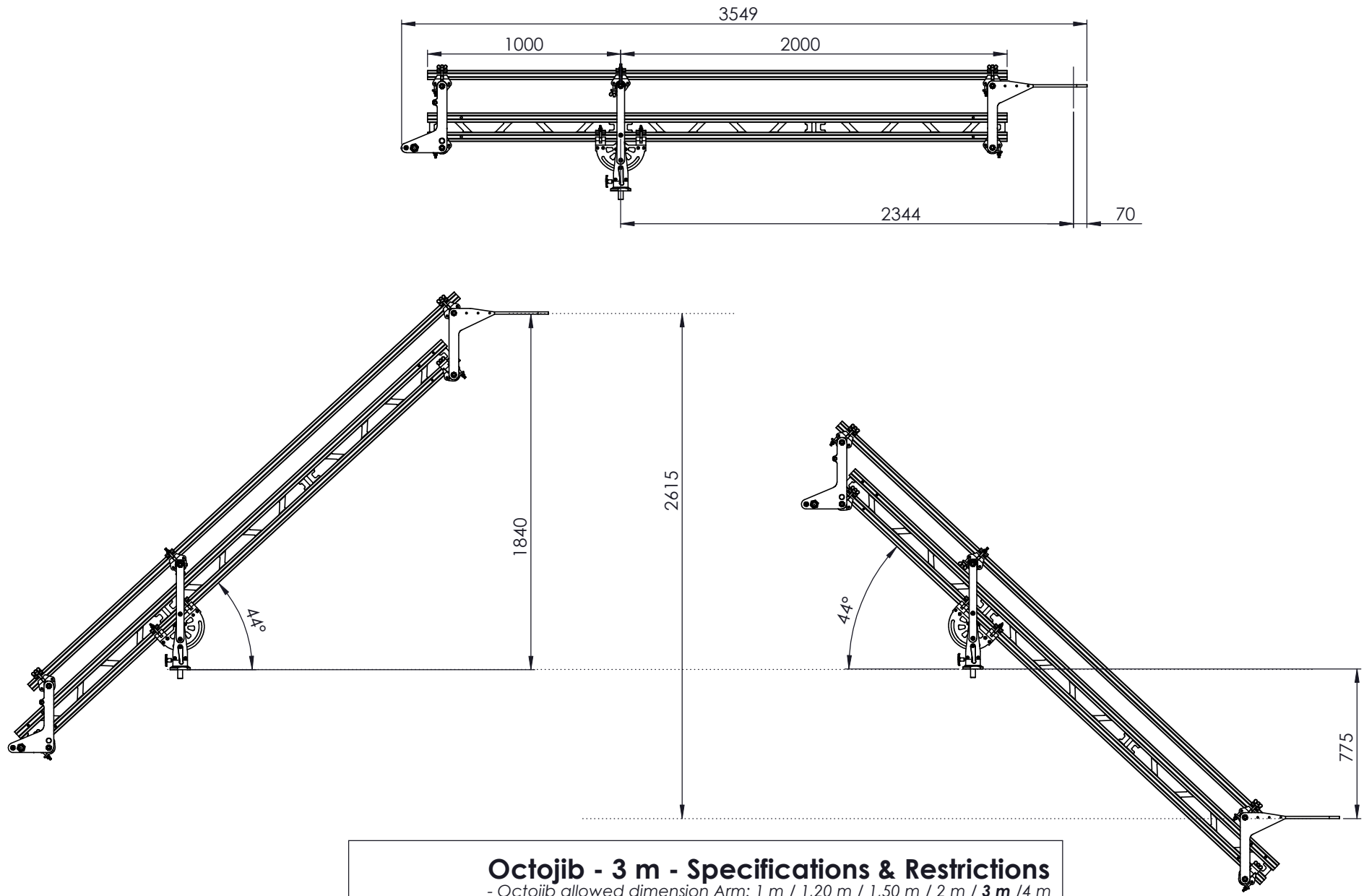
- Octojib allowed dimension Arm: 1 m / 1,20 m / 1,50 m / **2 m** / 3 m / 4 m

- Maximum lift capacity: **25 kg**
- Maximum conterweight capacity: **42 kg**
- Maximum Front arm length: **1370 mm** (central pivot / front of the Bilite)
- Minimum Back arm length: **630 mm** (central pivot / back of the Bilite)
- Weight (exluding conterweight & support) : 26 kg



KEY GRIP SYSTEMS
Development

14.01.2018



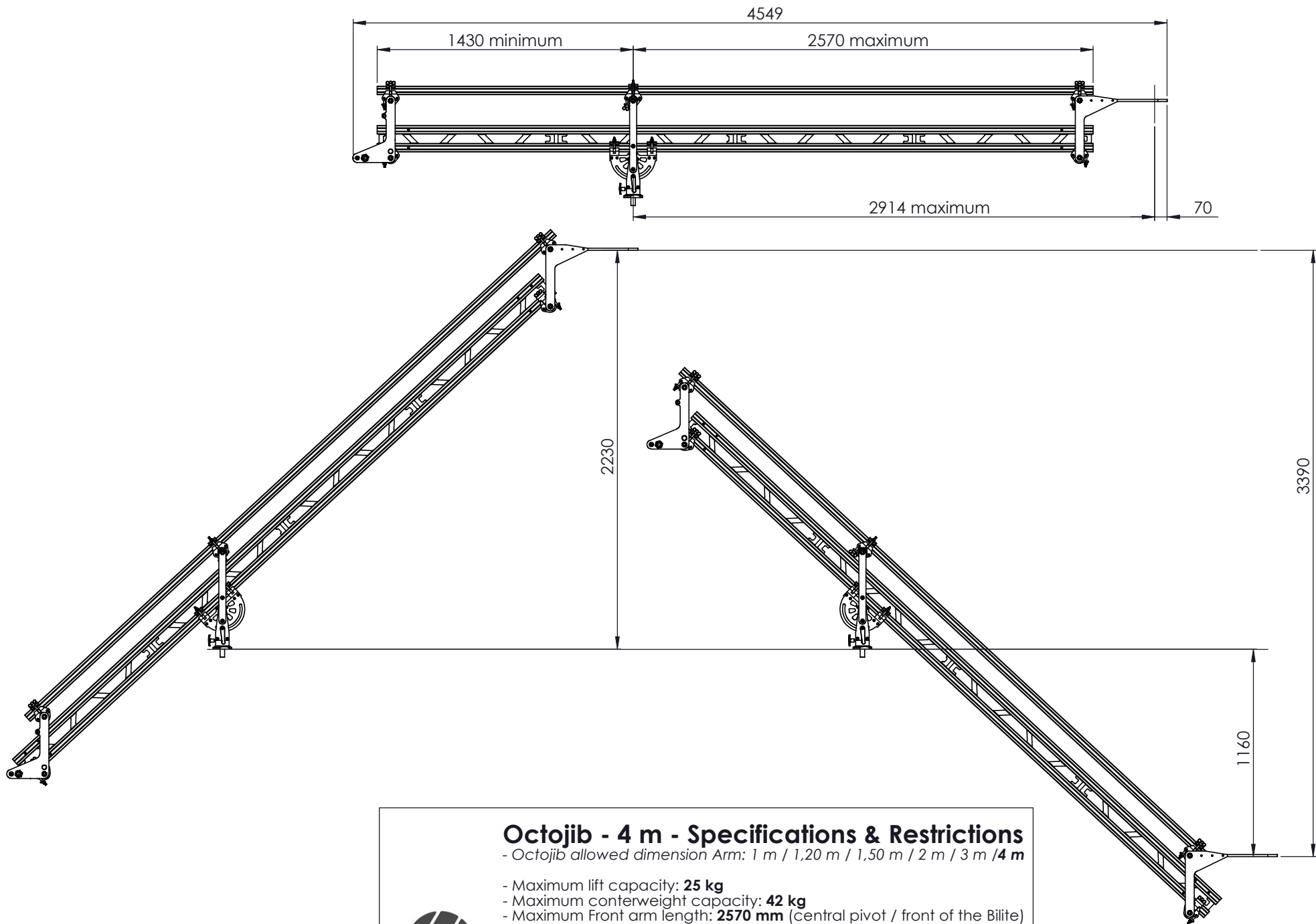
Octojib - 3 m - Specifications & Restrictions

- Octojib allowed dimension Arm: 1 m / 1,20 m / 1,50 m / 2 m / 3 m / 4 m

- Maximum lift capacity: **25 kg**
- Maximum counterweight capacity: **42 kg**
- Maximum Front arm length: **2000 mm** (central pivot / front of the Bilite)
- Minimum Back arm length: **1000 mm** (central pivot / back of the Bilite)
- Weight (exluding counterweight & support) : 28,5 kg



14.01.2018



Octojib - 4 m - Specifications & Restrictions

- Octojib allowed dimension Arm: 1 m / 1,20 m / 1,50 m / 2 m / 3 m / 4 m

- Maximum lift capacity: **25 kg**
- Maximum counterweight capacity: **42 kg**
- Maximum Front arm length: **2570 mm** (central pivot / front of the Bilite)
- Minimum Back arm length: **1430 mm** (central pivot / back of the Bilite)
- Weight (exluding conterweight & support) : 31,5 kg



KEY GRIP SYSTEMS
Development

14.01.2018